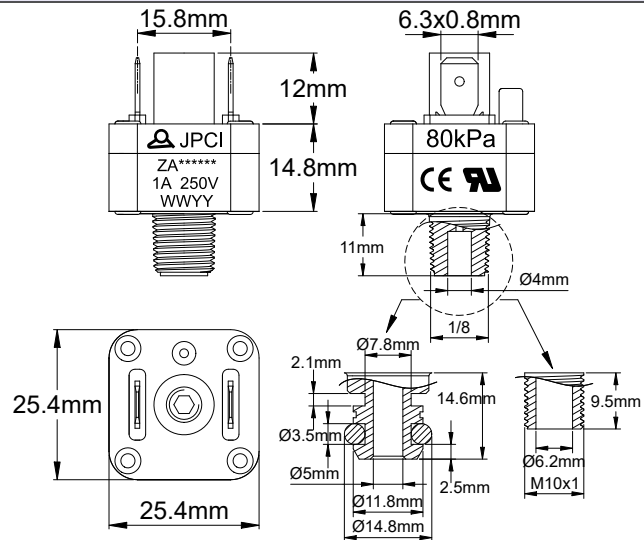




Positive pressure switches

Low voltage circuit adjustable **positive** pressure switch.
Quick connect terminals. Various center threads.

Fitting	Maximum Electrical rating	Minimum calibration pressure	Maximum calibration value	Type
PA66	SPNO, 1A 250VAC	10 kPa (100 mbar, 1.5 PSI).	4 bar (0.4 Mpa, 60 PSI)	ZA



Main applications :

Minimum water pressure detection on water heaters and boilers. This pressure switch is much more sensitive than snap-action systems and can be calibrated at lower pressures, but its use is limited to low power applications, typically on electronic circuits. Very low differential, less than 1 kPa (10 millibars, 0.15 PSI).

Membranes: Silicone, dia. 22mm.

Fluid: Water or air

Fitting: PA66

Housing: PA66, UL94 VO

Contact: Single pole normally open, slow make and break.

Electrical rating:

- Silver contact: max 1A 250VAC

- Gold plated contact: max 100mA, 24VDC

Action: Momentary, close on pressure rise.

Set point calibration: Factory calibrated and sealed, not field adjustable

Set point calibration limits: From 0.1 to 4 bar (0.01 to 0.4 Mpa, 1.5 to 60 PSI)

Electrical connection: 6.35 × 0.8mm quick connect terminals

Bursting pressure: > 16 bar (1.6Mpa, 232PSI)

Ambient temperature limits: water: 0 to 85°C (32 to 185°F), Air: -10 ~ 85°C (14° to 185°F).

Maximum calibration value: 4 bar (0.4 Mpa, 60 PSI).

Parts numbers :

Pressure port	Contact	Calibration				
		10 kPa (100 mbar, 1.5 PSI)	20 kPa (200 mbar, 2.9 PSI)	40 kPa (400 mbar, 5.8 PSI)	60 kPa (600 mbar, 8.7 PSI)	80 kPa (800 mbar, 11.6 PSI)
1/8" NPT	Silver	ZA2X28EA01000000	ZA2X28EA02000000	ZA2X28EA04000000	ZA2X28EA06000000	ZA2X28EA08000000
	Gold plated	ZA2X28EG01000000	ZA2X28EG02000000	ZA2X28EG04000000	ZA2X28EG06000000	ZA2X28EG08000000
1/8" BSPT	Silver	ZA2X2GEA01000000	ZA2X2GEA02000000	ZA2X2GEA04000000	ZA2X2GEA06000000	ZA2X2GEA08000000
	Gold plated	ZA2X2GEG01000000	ZA2X2GEG02000000	ZA2X2GEG04000000	ZA2X2GEG06000000	ZA2X2GEG08000000
M10x1	Silver	ZA2X2MEA01000000	ZA2X2MEA02000000	ZA2X2MEA04000000	ZA2X2MEA06000000	ZA2X2MEA08000000
	Gold plated	ZA2X2MEG01000000	ZA2X2MEG02000000	ZA2X2MEG04000000	ZA2X2MEG06000000	ZA2X2MEG08000000
Snap-in	Silver	ZA2X2TEA01000000	ZA2X2TEA02000000	ZA2X2TEA04000000	ZA2X2TEA06000000	ZA2X2TEA08000000
	Gold plated	ZA2X2TEG01000000	ZA2X2TEG02000000	ZA2X2TEG04000000	ZA2X2TEG06000000	ZA2X2TEG08000000